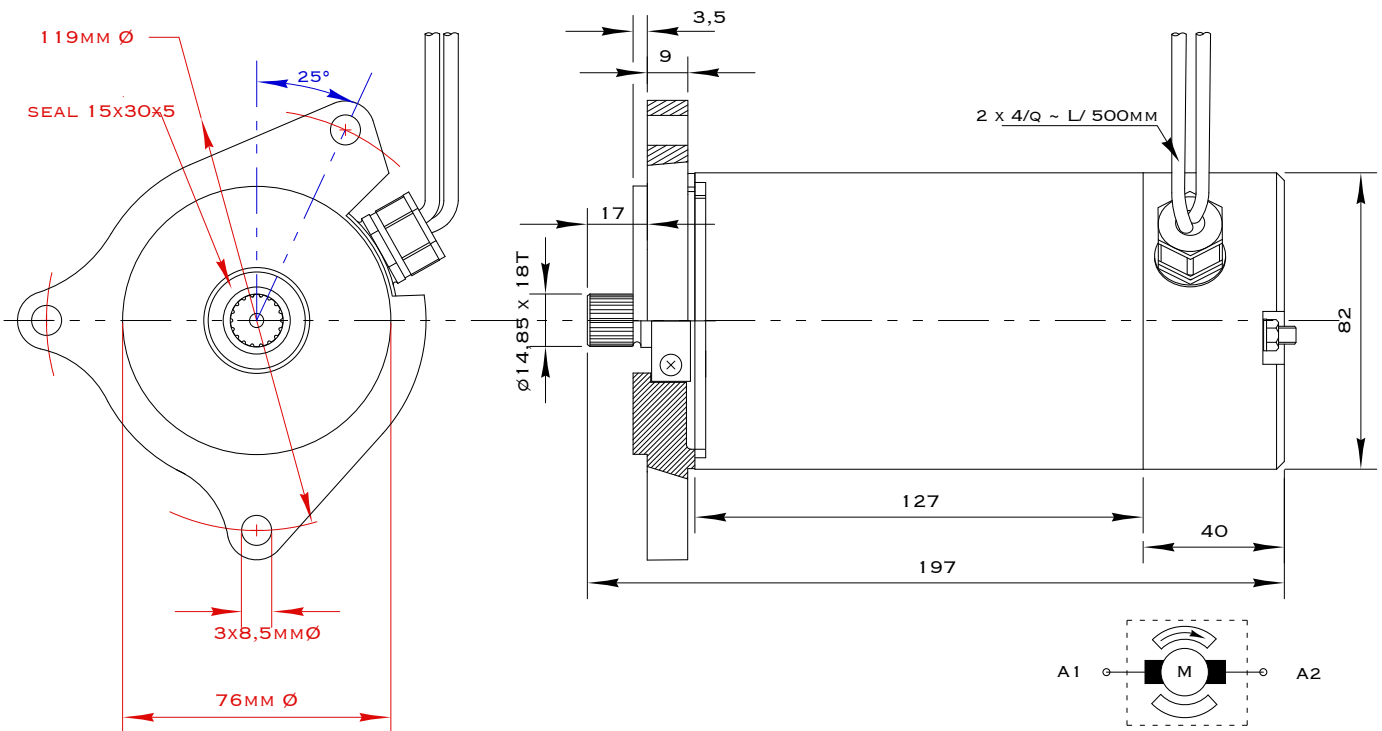
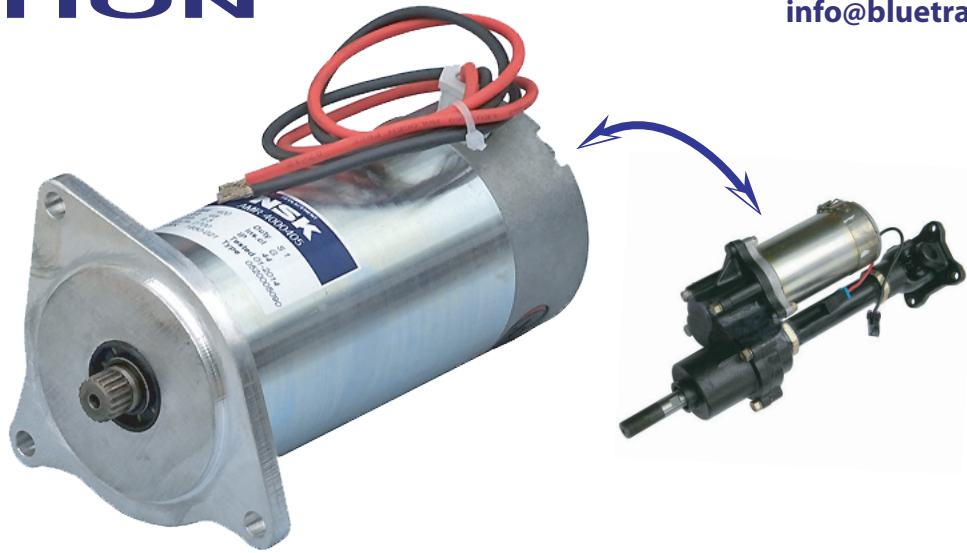





replacement  
**NSK**  
replacement  
01.2015



<p>AM 400301 48v/300W</p> <p><b>OEM references</b></p> <p>1850-0039 0-52000-8110 1850-0027 0-52000-5141 1850-1773 29210-41H00 1850-1774 03-51-0001/2</p>	<p>AM 136059 48v/350W</p> <p><b>OEM references</b></p> <p>1850-0058 0-52000-5151 1850-0032 0-52000-5150 1850-0037</p>	<p>AM 136021 48v/400W</p> <p><b>OEM references</b></p> <p>1850-0015 29210-41H10 1850-0015 0-51000-2000</p>
 <p>AM 814017 36/48v ( 8,85 x 24,95 x 22,00 )</p>	 <p>AM 488888 36/48v ( incl. brushes and wires )</p>	<p><i>O.E.M. rebuild armatures</i></p>  <p>AM 800228 36/48v/300W AM 800229 36/48v/400W</p>