

AM 600065

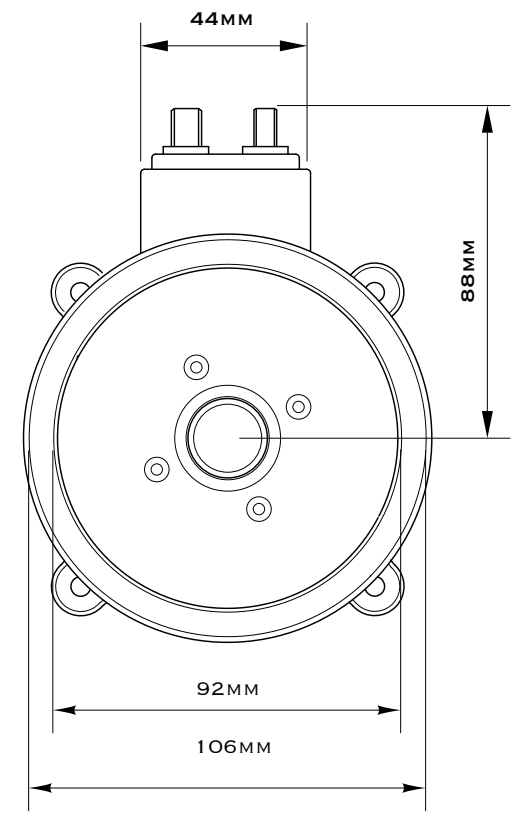
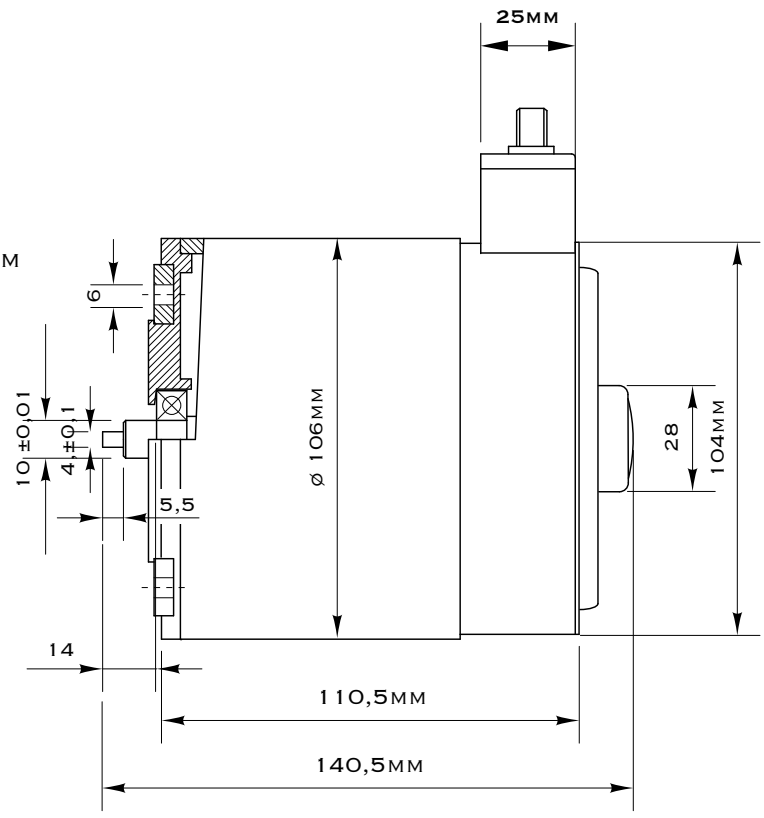
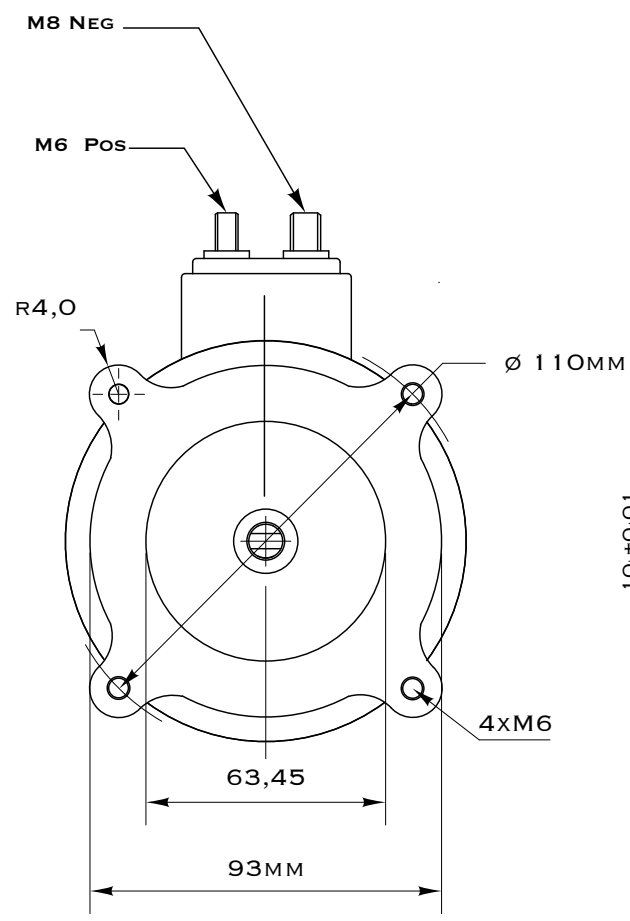
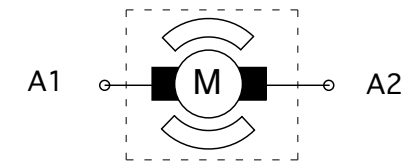
APPLICATION:  
FORK-LIFT  
HPI

CODE	115.703B
VOLTAGE	24V
POWER	1,2 KW
ROT.	CCWDE
R.P.M.	3700
AMP	65

DUTY TIME	S2 3MIN
ISOL. CL.	G
I.P.	44
NW	3,95
TYPE	PERM.MAGN
REPL.	HPI

SCALE 1:2  
POWER CADD  
21.07.2017  
DF TITTONI

10  
9  
8  
7  
6  
5  
4  
3  
2  
1



L I H G F E D C B A