

AM 600030

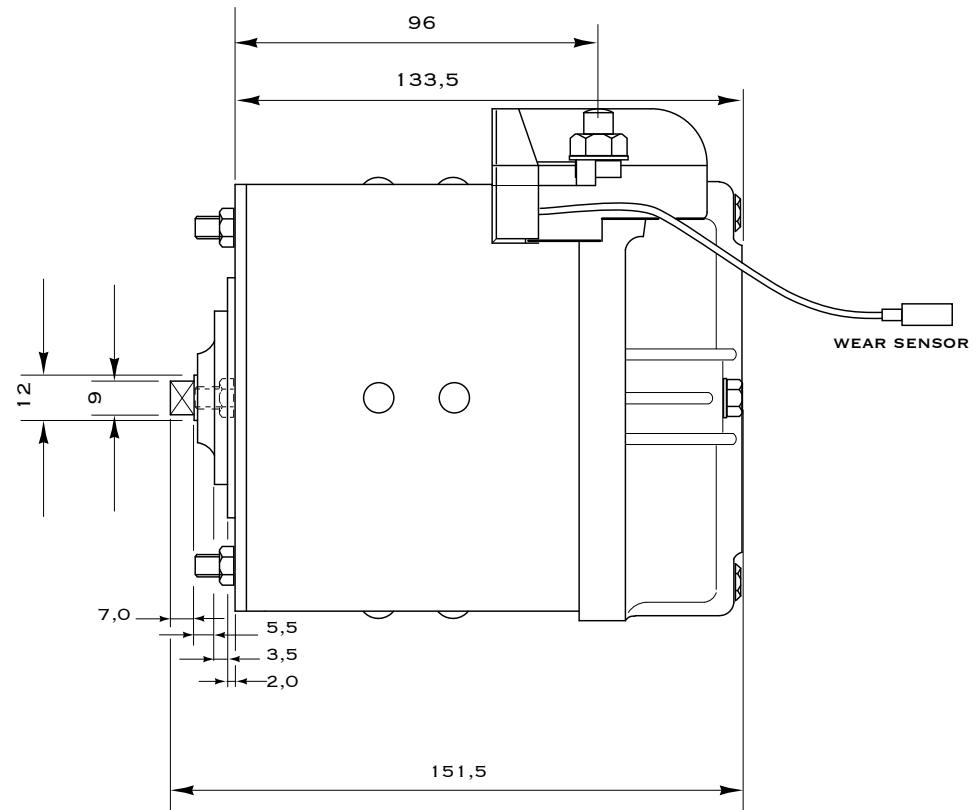
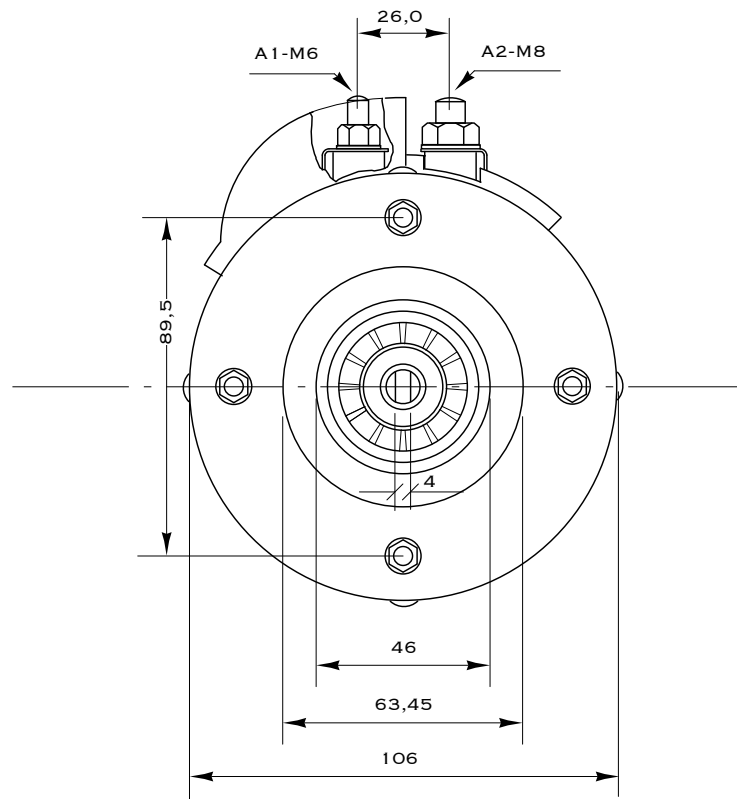
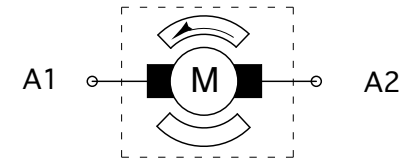
APPLICATION:

STEERING

CODE	HPI 111.049
VOLTAGE	48V
POWER	0,6/8Kw
ROT.	CCWDE
R.P.M.	2800
AMP	20

DUTY TIME	S2 60M
ISOL. CL.	F
I.P.	20
NW	2,7
TYPE	PER. MAGN.
FLANGE	HPI 63,45

SCALE 1:2
POWER CADD
21.9.2007
DF TITTONI



L I H G F E D C B A

10
9
8
7
6
5
4
3
2
1