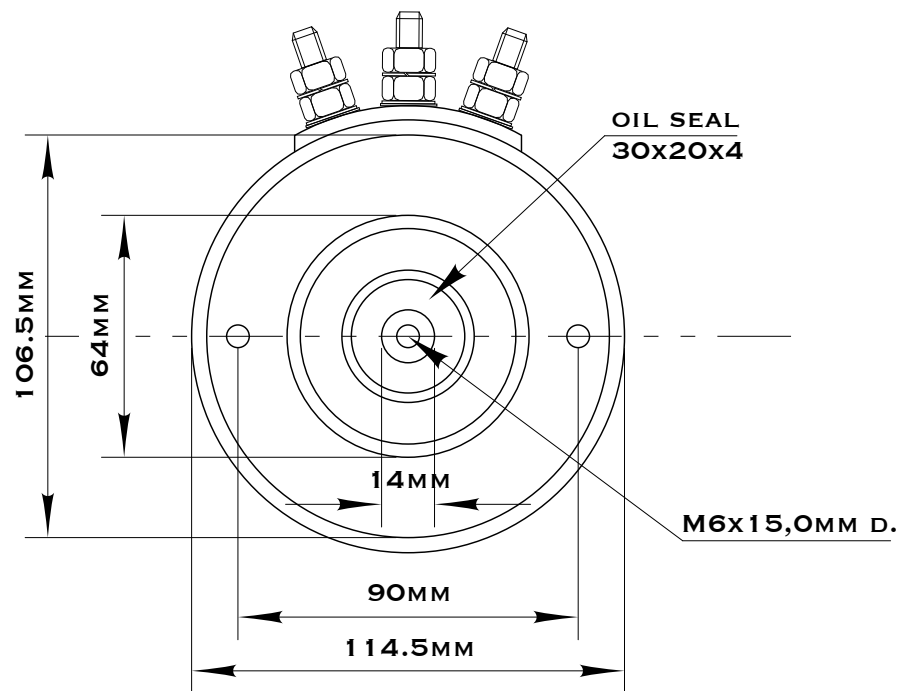
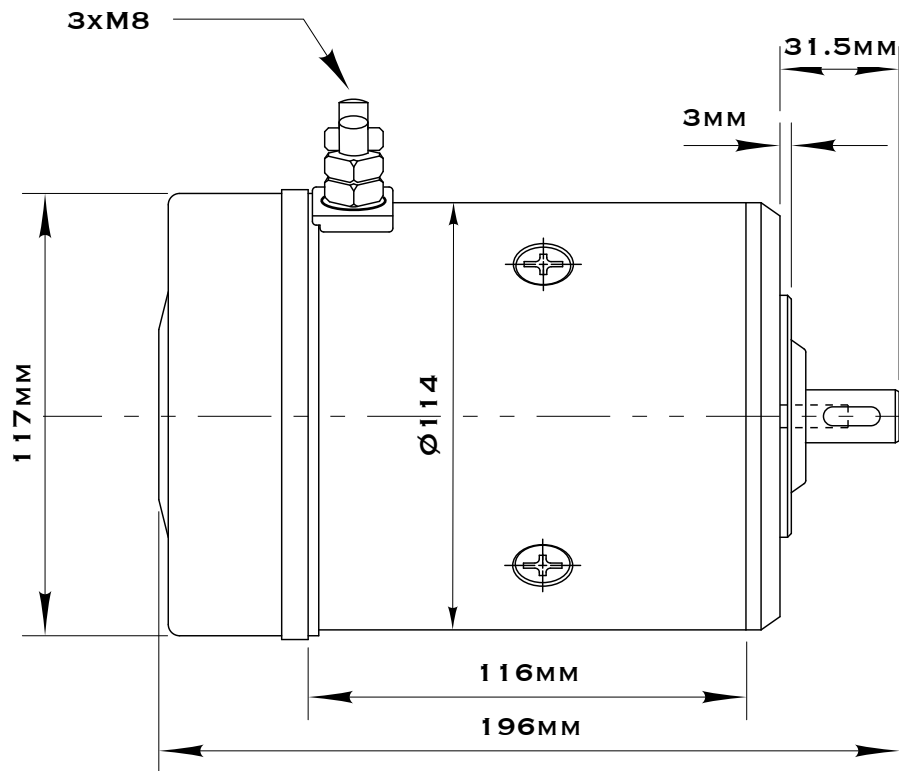
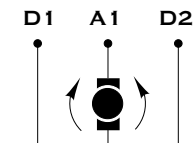


CODE	350553	DUTY TIME	S2 30MIN	SCALE 1:2
VOLTAGE	12V	ISOL. CL.	G	POWER CADD
POWER	1000WATT	I.P.	54	14.03.2017
ROT.	R+L	NW	3,8	DF TITTONI
R.P.M.	2600	TYPE	SERIE WOUND	
AMP	106	REPL.	30553	



L I H G F E D C B A

10  
9  
8  
7  
6  
5  
4  
3  
2  
1