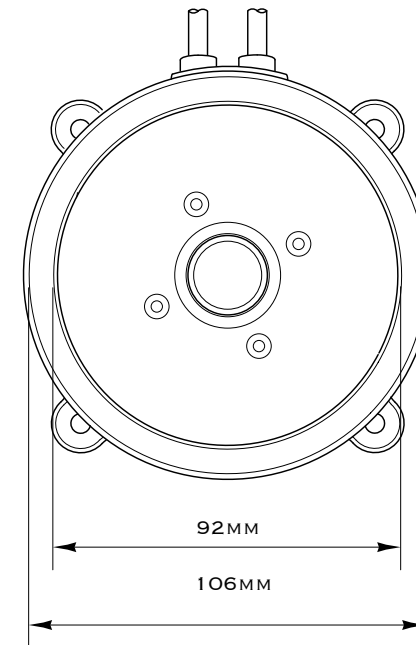
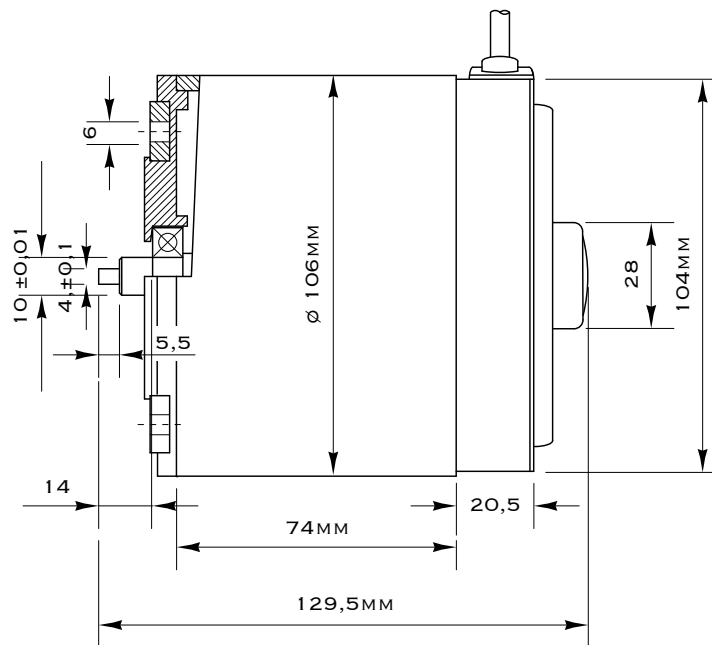
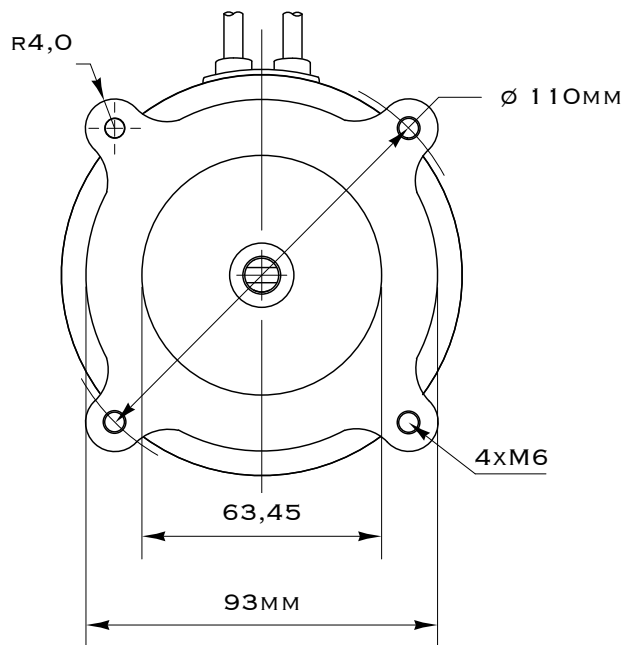
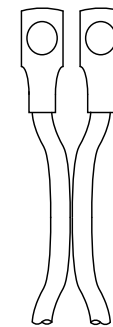
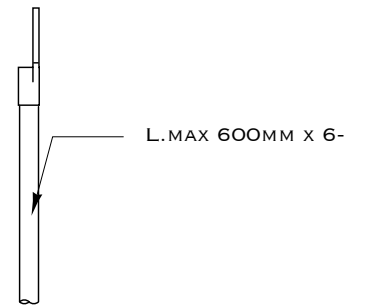
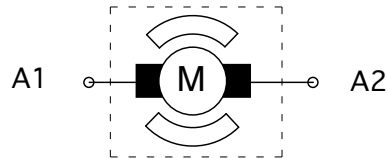
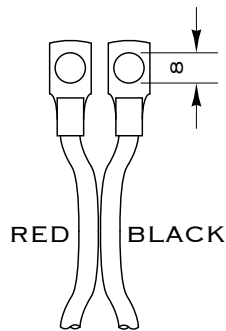


AM 600044

APPLICATION:
FORK-LIFT
ATLET

CODE	112.237	DUTY TIME	S2 3MIN
VOLTAGE	24V	ISOL. CL.	G
POWER	1,0 KW	I.P.	44
ROT.	CCWDE	NW	3,95
R.P.M.	3100	TYPE	PERM.MAGN
AMP	65	REPL.	HPI
BY 1,2KW : S2 1,5M / RPM 2900 / NW 3,90			

SCALE 1:2
POWER CADD
18.02.2012
DF TITTONI



10
9
8
7
6
5
4
3
2
1