

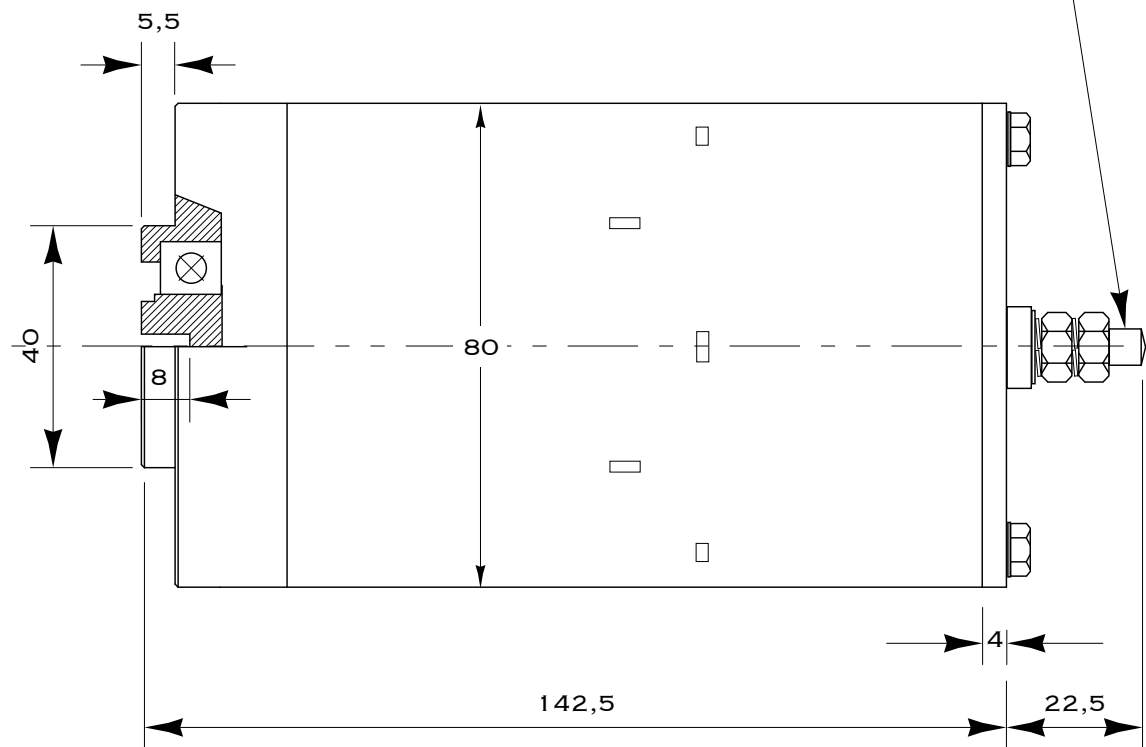
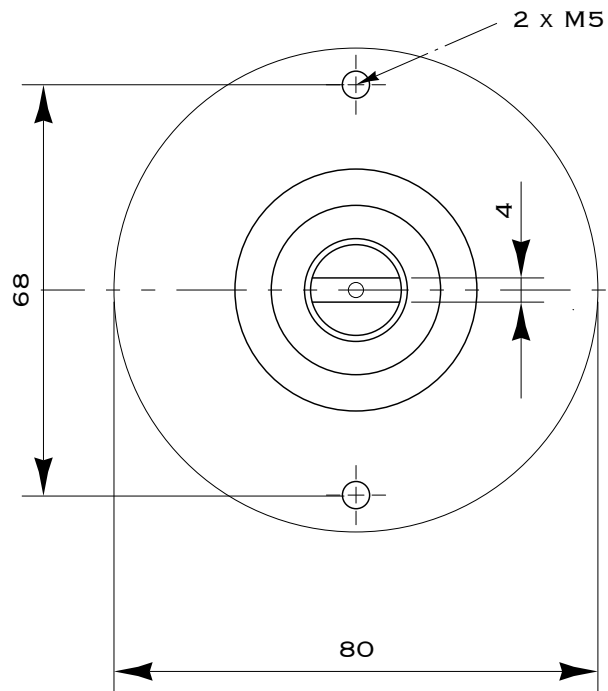
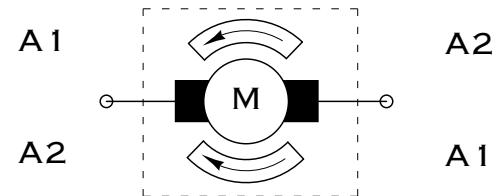
AM 135106

APPLICATION:
STONE 4300

CODE	231 / 257
VOLTAGE	12
POWER	800WATT
ROT.	R + L
R.P.M.	4000
AMP	85

DUTY TIME	S2 4M
ISOL. CL.	G
I.P.	54
NW	1,95
TYPE	PERM.MAGN
REPL.	4691-222-1

SCALE	1:1,25 / A4
POWER CADD	
	21.1.2010
	DF TITTONI
NOTE : FRONT BEARING 6003	



L I H G F E D C B A

10
9
8
7
6
5
4
3
2
1